



Light 'n Go™ Activity Garden Treehouse™

640964

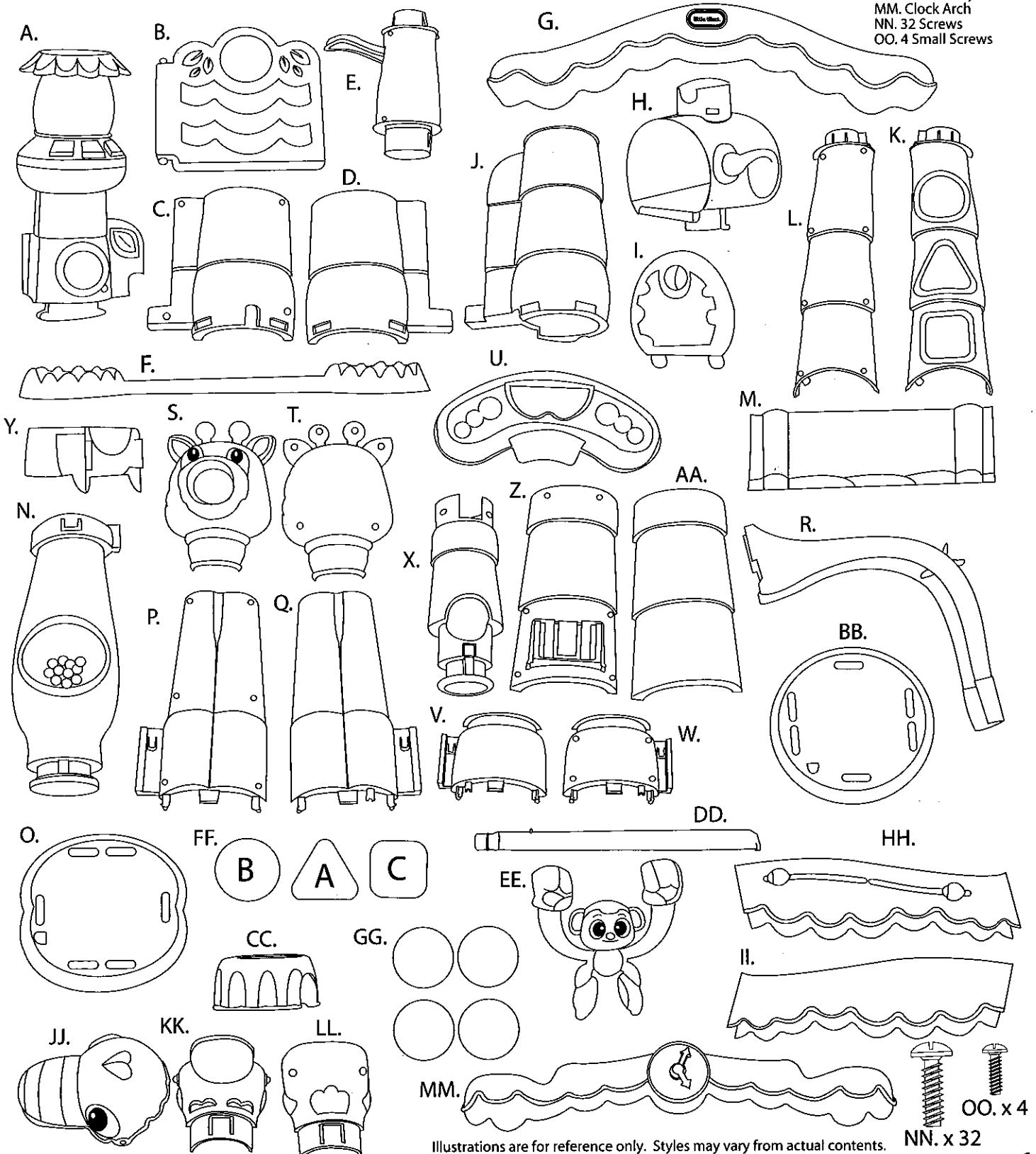
AGES 6- 36 MONTHS
ADULT SUPERVISION REQUIRED
ADULT ASSEMBLY & BATTERY INSTALLATION REQUIRED

NOT INCLUDED:

 #1 Phillips Screwdriver

CONTENTS

- | | | | | | |
|--------------------------|------------------------|---------------------------|-----------------------------|------------------------------|----------------------------|
| A. Lantern | G. Front Arch | M. Slide | S. Giraffe Face | Y. Top of Slide | EE. Monkey |
| B. Door | H. Mailbox | N. Giraffe Body | T. Giraffe Back Head | Z. Middle Toucan Post Back | FF. 3 Sorting Shape Blocks |
| C. Back Tree Trunk Half | I. Mailbox Door | O. Front Leg Base | U. Giraffe Back Leg Base | AA. Middle Toucan Post Front | GG. 4 Balls |
| D. Front Tree Trunk Half | J. Tree Trunk | P. Giraffe Back Leg Half | V. Bottom Toucan Post Front | BB. Toucan Base | HH. Top Ball Ramp |
| E. Leaf Lever | K. Shape Sorting Front | Q. Giraffe Front Leg Half | W. Bottom Toucan Post Back | CC. Toucan Nest | II. Bottom Ball Ramp |
| F. Base | L. Shape Sorting Back | R. Giraffe Back Legs | X. Top Toucan Post | DD. Monkey Zip Line | JJ. Toucan Head |



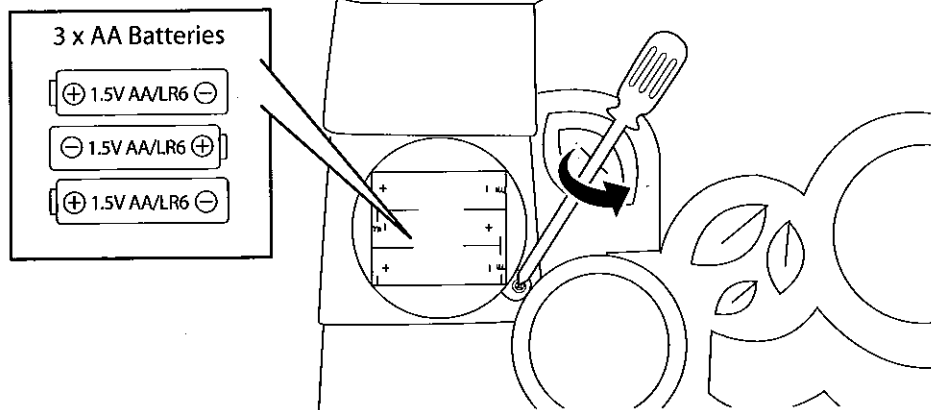
Illustrations are for reference only. Styles may vary from actual contents.

OO. x 4
NN. x 32

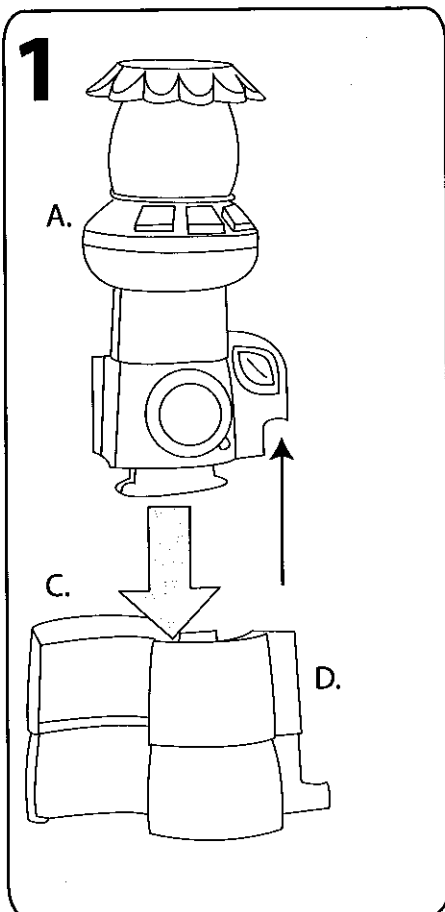
BATTERY INSTALLATION

The batteries included in the lantern are for in-store demonstration purposes. Before playing, an adult must install fresh alkaline batteries in the lantern. Here's how:

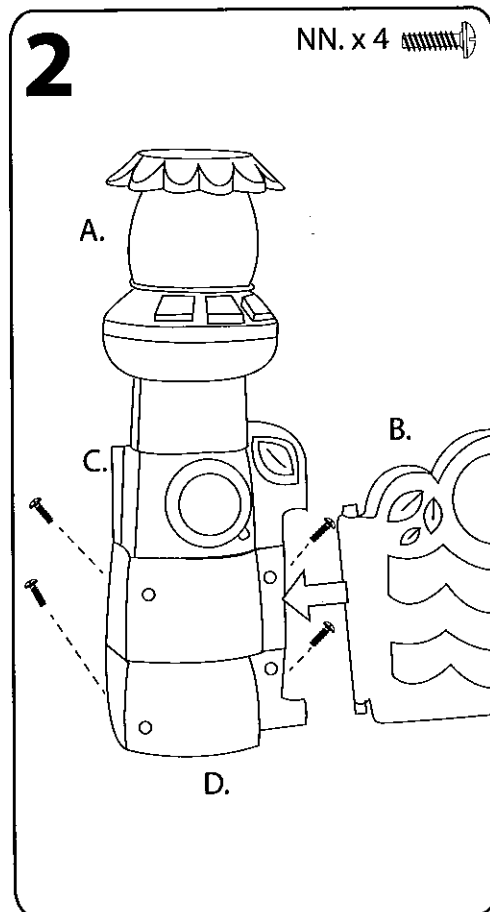
1. Using a Phillips screwdriver (not included) remove the screw and battery compartment cover from under the lantern.
3. Install three (3) fresh 1.5V AA (LR6) alkaline batteries (not included) making sure the (+) and (-) ends face the proper direction as indicated inside the battery compartment.
4. Replace the compartment cover and tighten the screw.



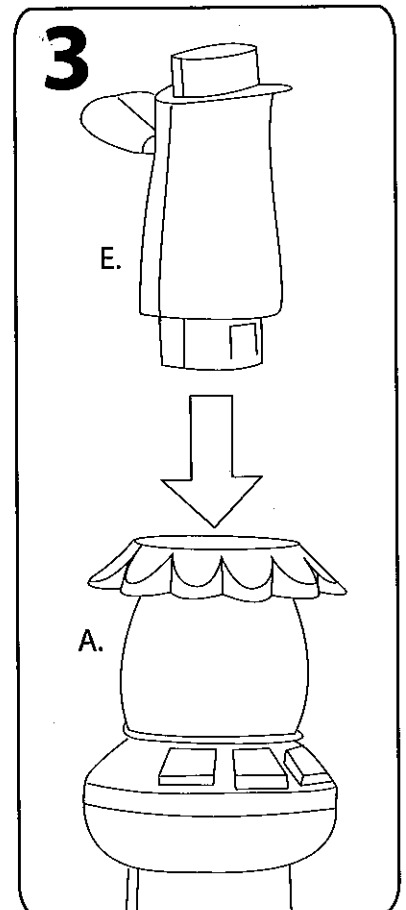
ASSEMBLY



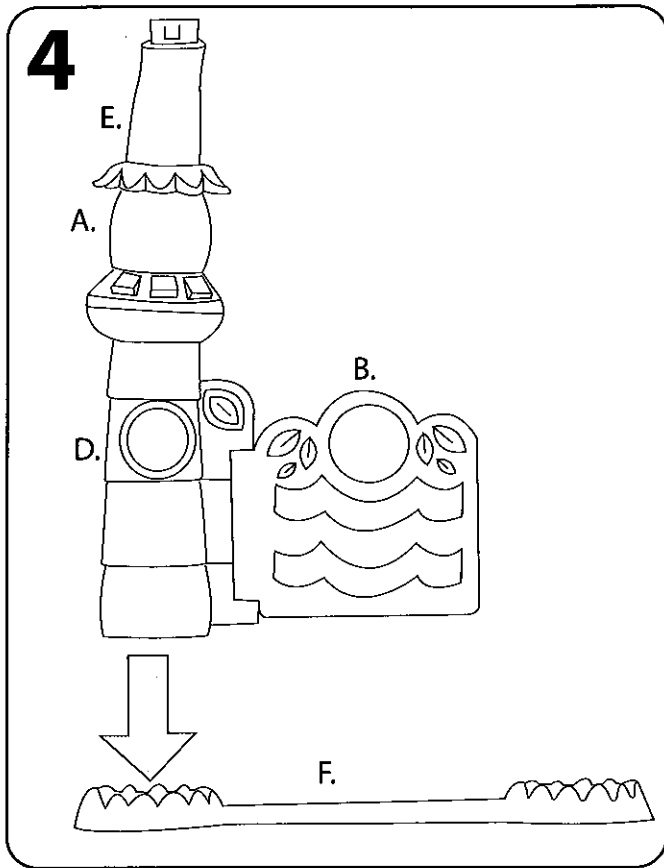
Enclose the lantern (A) between the bottom tree trunk halves (C, D).



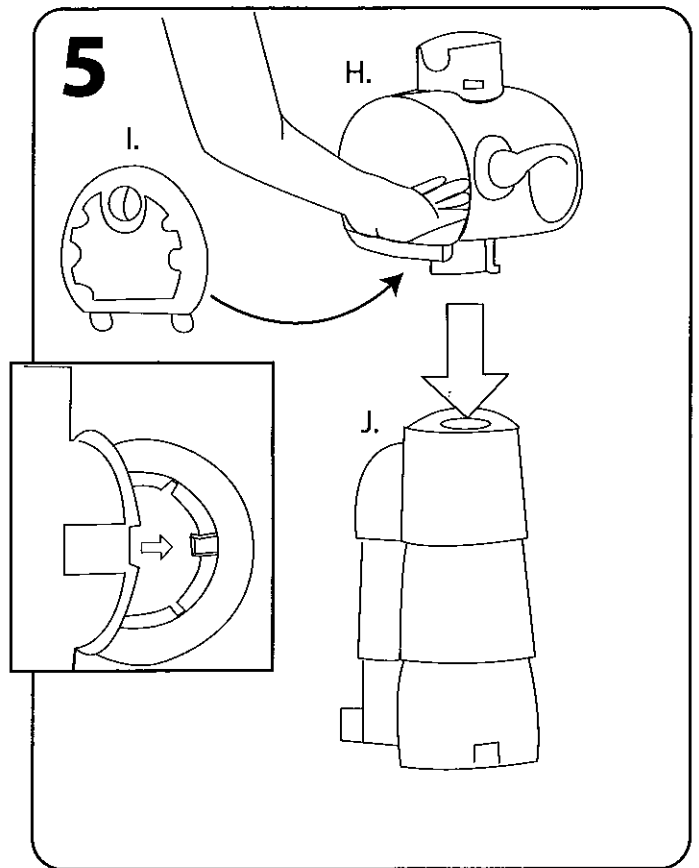
Insert the door (B) onto the tree trunk and secure the door and trunk halves (C, D) with four screws (NN).



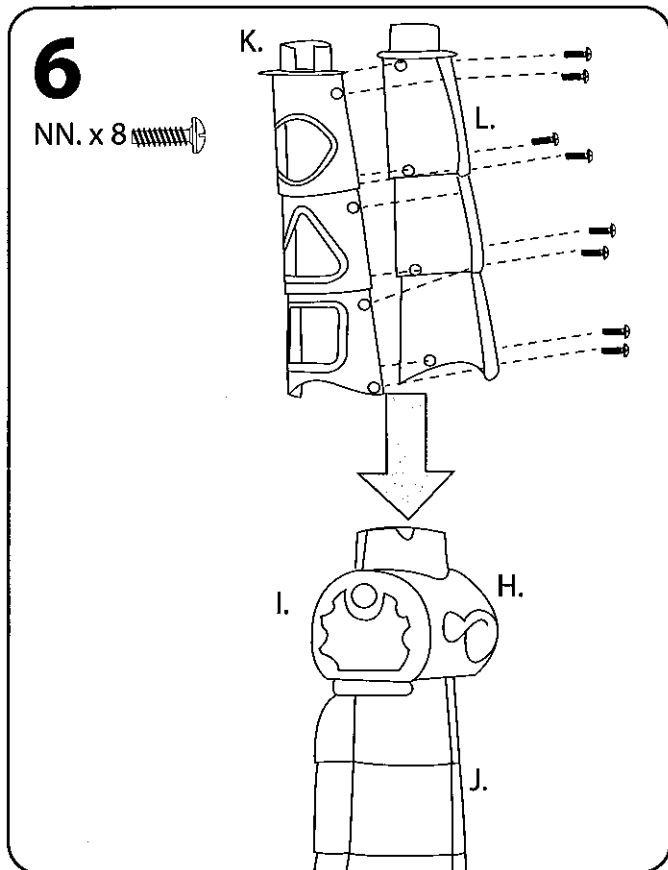
Snap the leaf lever (E) into the top of the lantern (A).
Note: The leaf should face the back of the lantern.



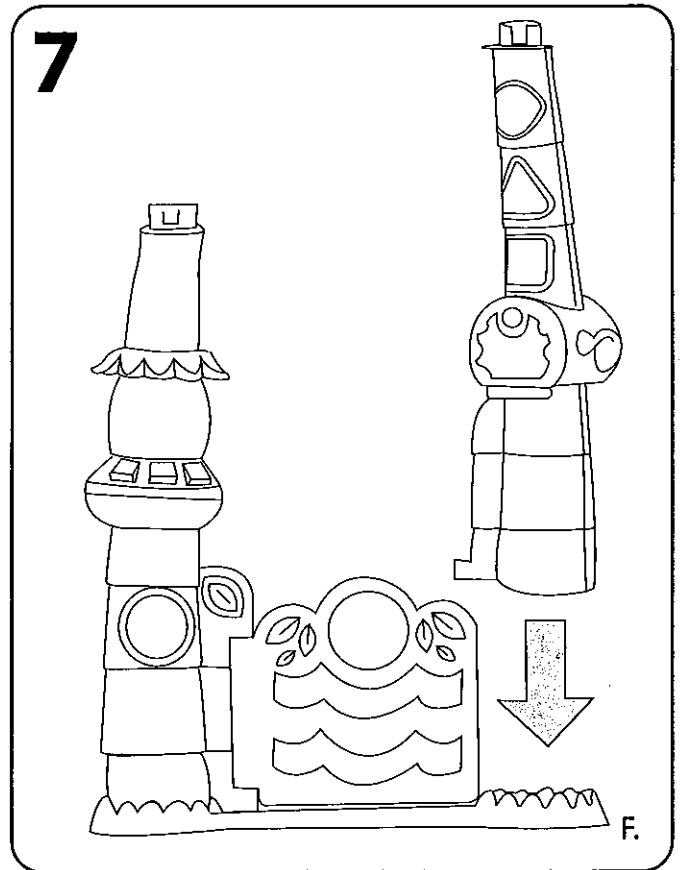
4 Snap the lantern assembly into the base (F). Note: lantern assembly can only be installed one way.



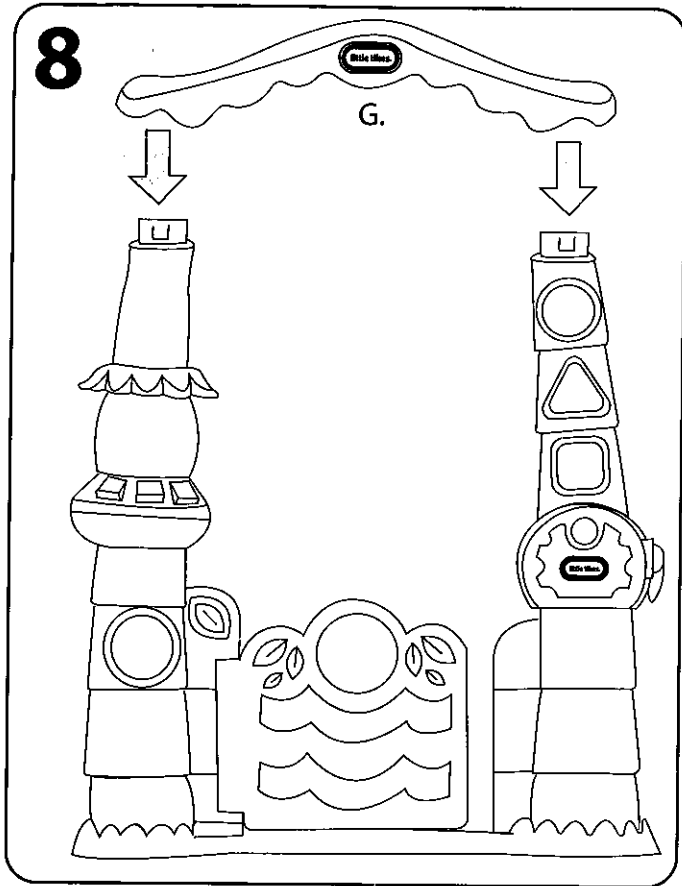
5 Place your hand inside the mailbox (H) and press down on the bottom of the mailbox to snap it into the tree trunk (J). Aligning the key and notch as shown. Then, snap the mailbox door (I) onto the mailbox.



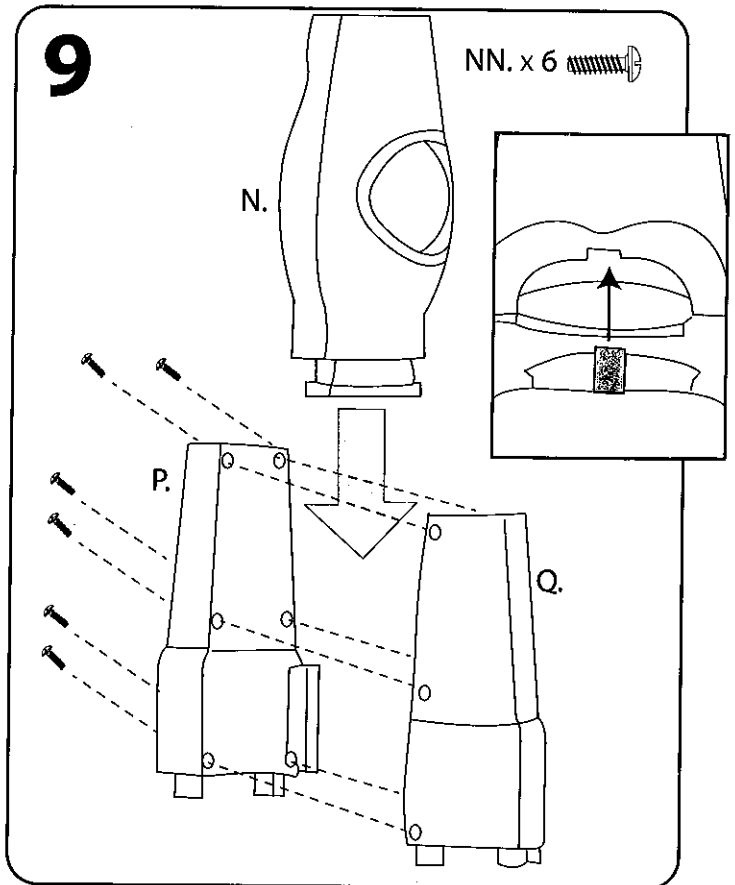
6 Enclose the mailbox (H) between the shape sorting halves (K, L) and secure with eight screws (NN). Shapes should face the same direction as the mailbox door (I).



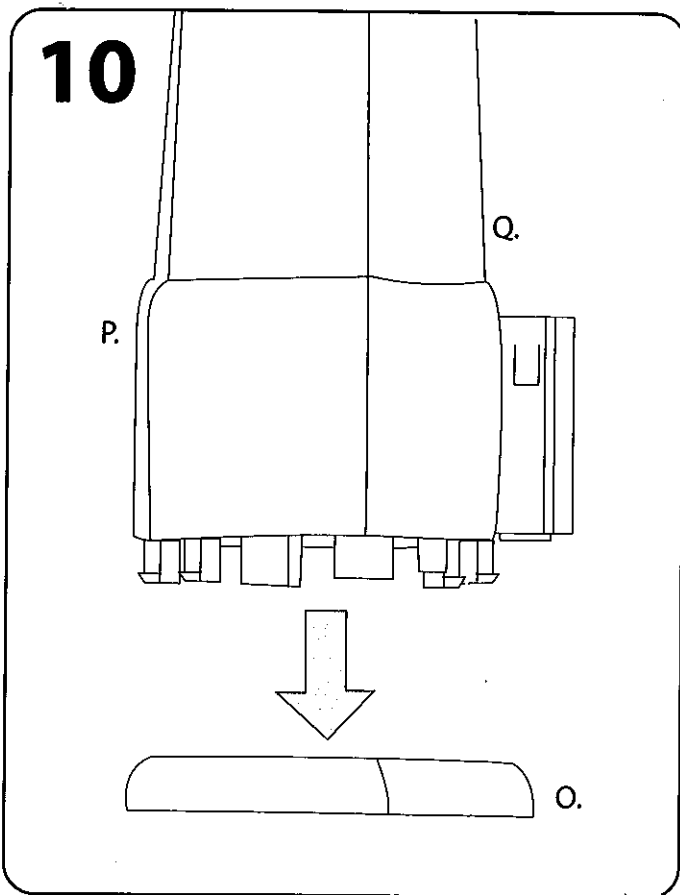
7 Snap the shape sorting assembly into the base (F).



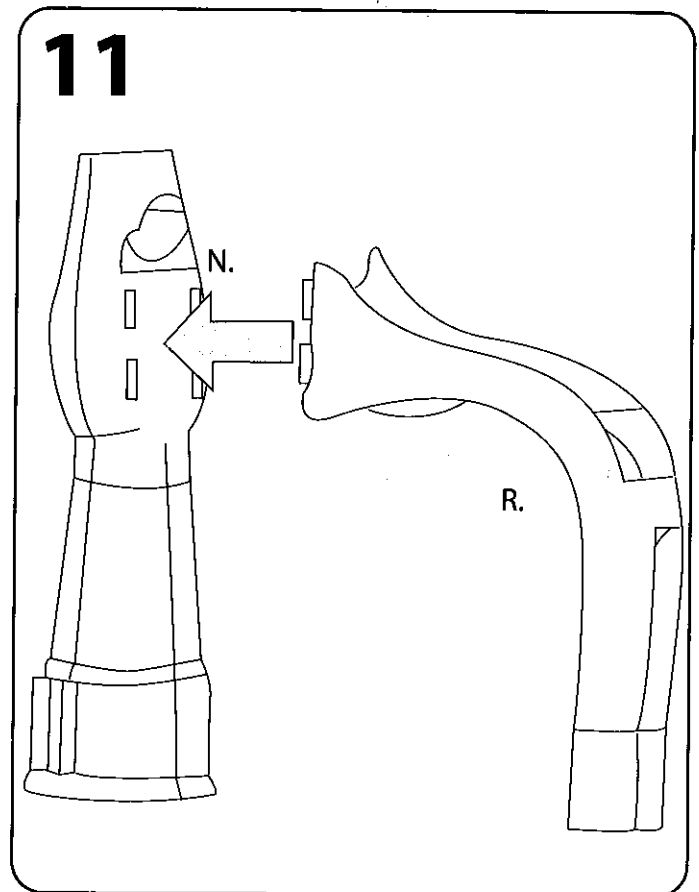
Snap the front arch (G) onto the lantern and shape sorting assemblies. Note: Little Tikes® logo should face the front.



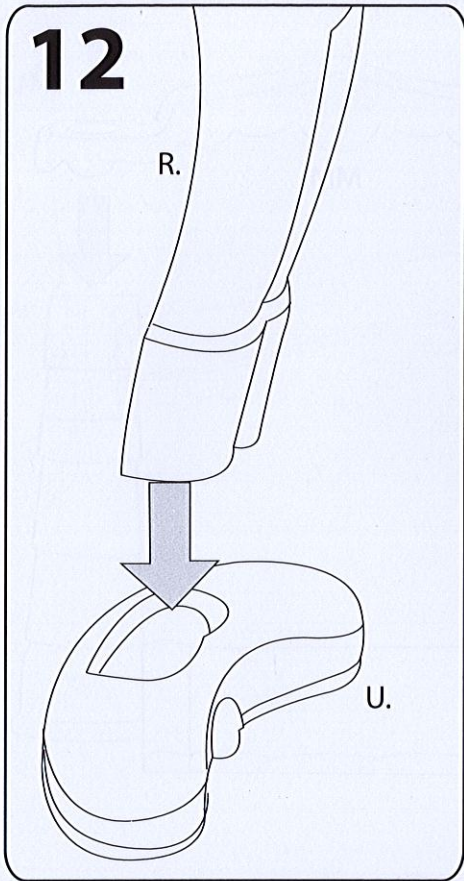
Place the giraffe body (N) between the giraffe leg halves (P, Q) and secure with 6 screws (NN). Align the key on the body and notch on the front legs as shown.



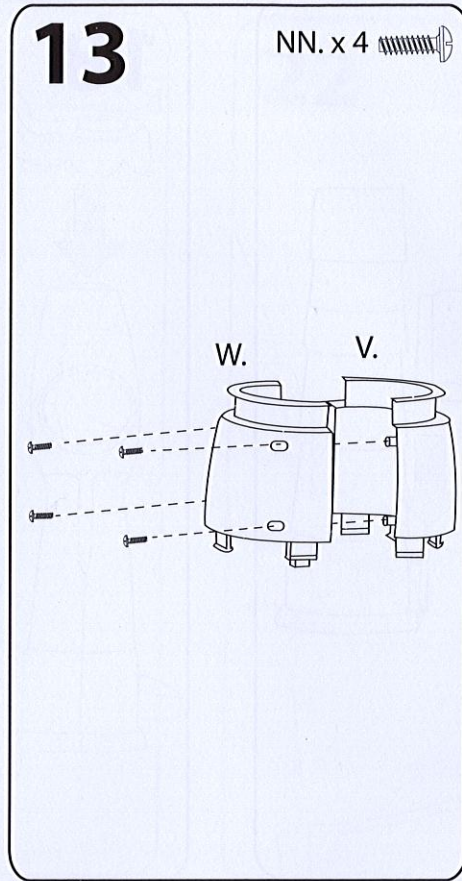
Snap the giraffe leg halves (P, Q) into the front leg base (O).



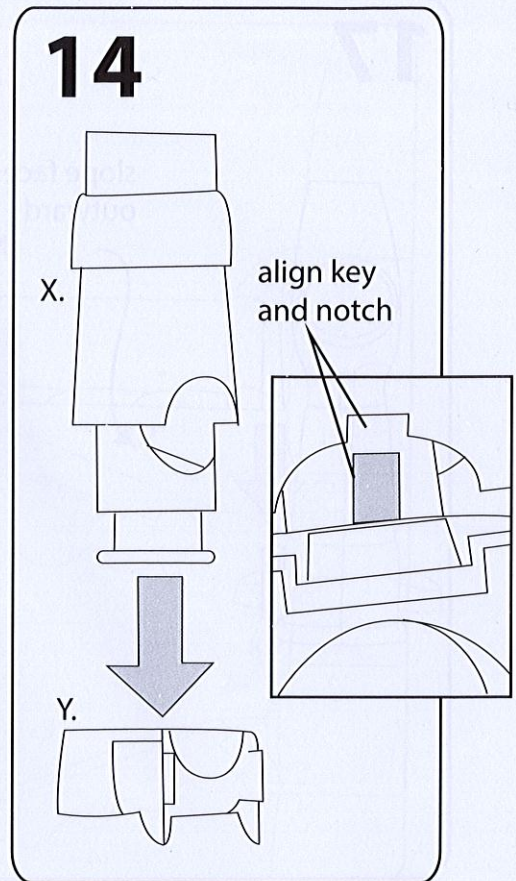
Attach the giraffe back legs (R) to the giraffe body (N).



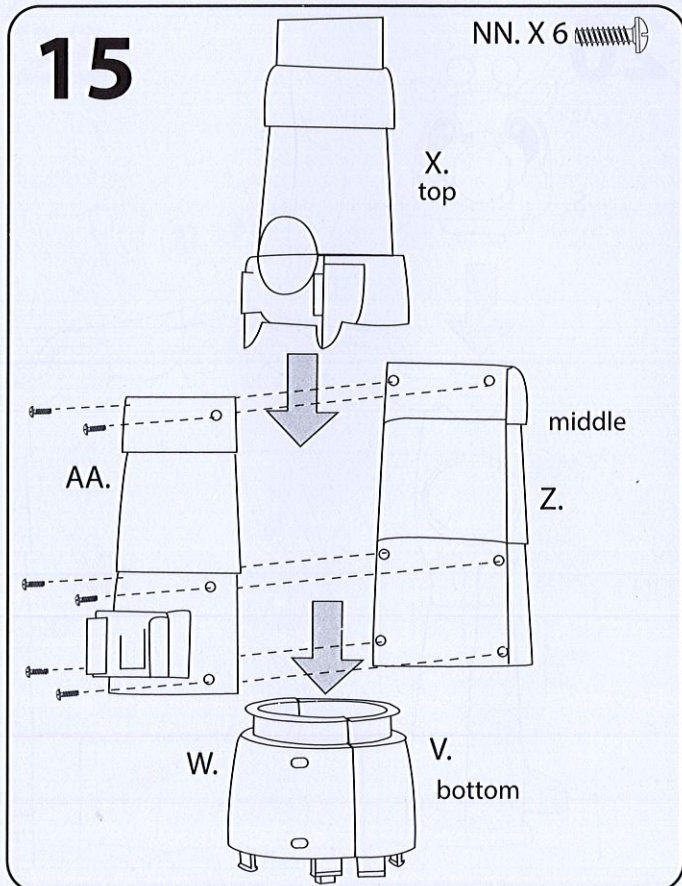
Attach the giraffe back legs (R) to the back leg base (U).



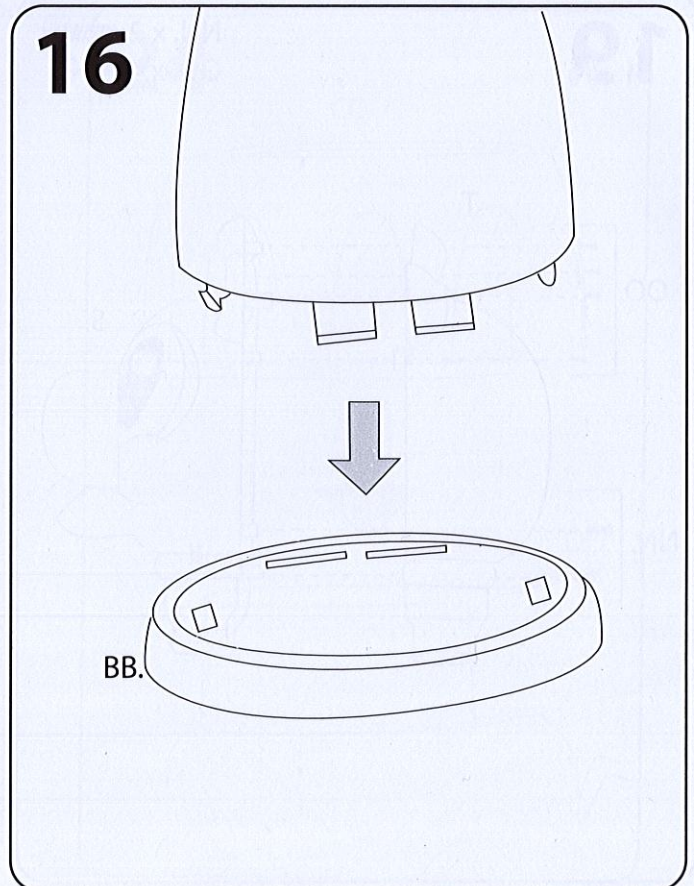
Secure the bottom of the toucan post halves (V,W) with four screws (NN).



Attach the top toucan post (X) to the top of the slide (Y), aligning the key on the slide with the notch on the post.

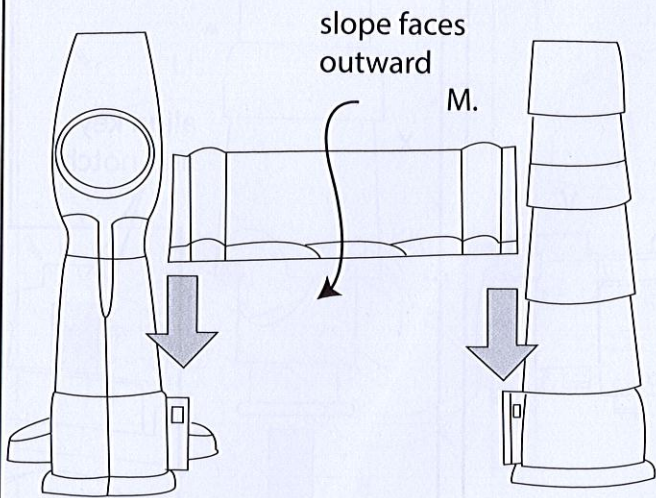


Enclose the middle toucan post front and back halves (AA,Z) over the top toucan post (X) and bottom toucan post halves (W,V) and secure with six screws (NN).



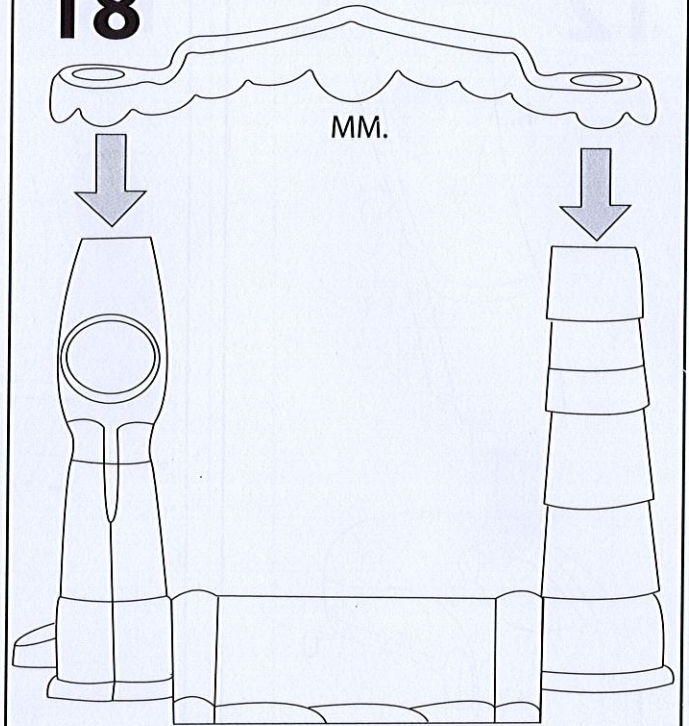
Snap the toucan post assembly into the toucan base (BB).

17





Insert the slide (M) into the slots on the giraffe assembly and toucan assembly. Slide slope should face outward.

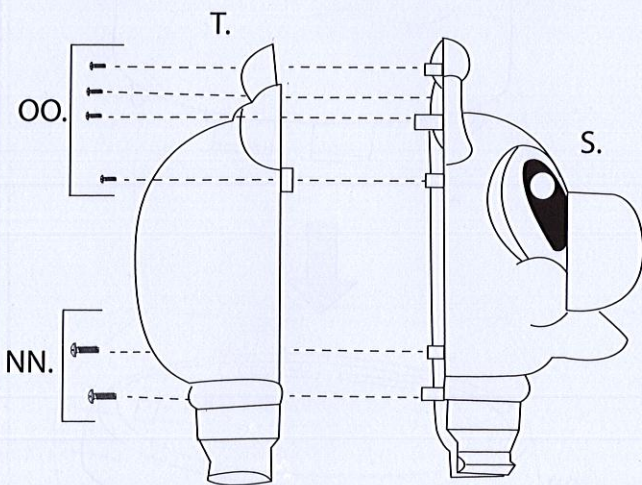
18



Snap the clock arch (MM) onto the giraffe assembly and toucan assembly. Clock should face inward.

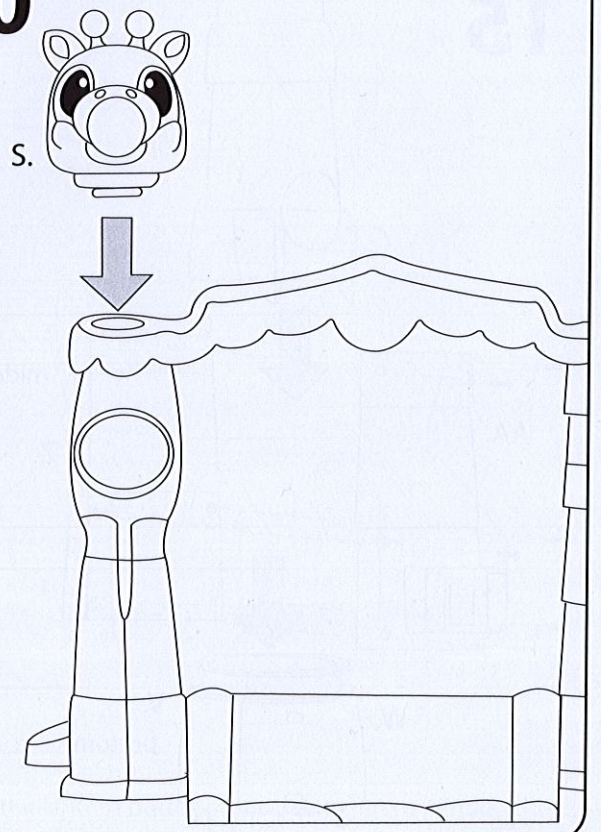
19

NN. x 2 
OO. x 4 

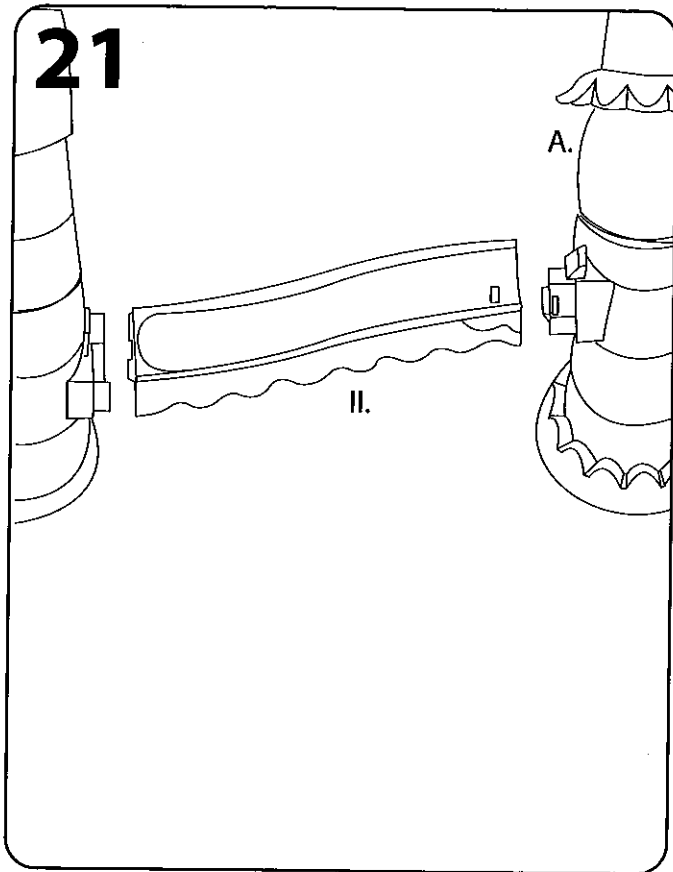


Connect the back (T) and front (S) of the giraffe's head with two screws (NN) and six small screws (OO).

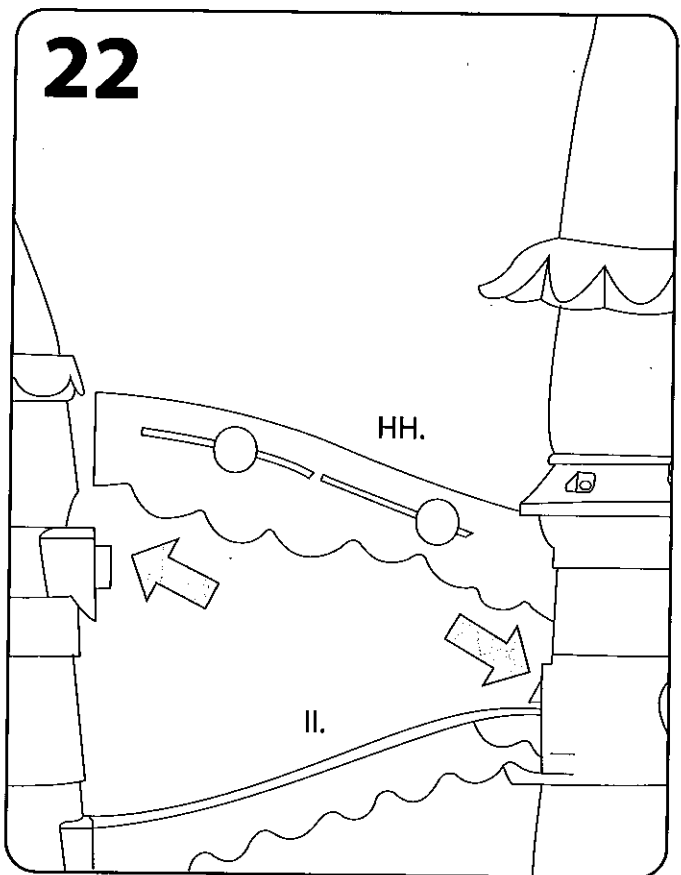
20



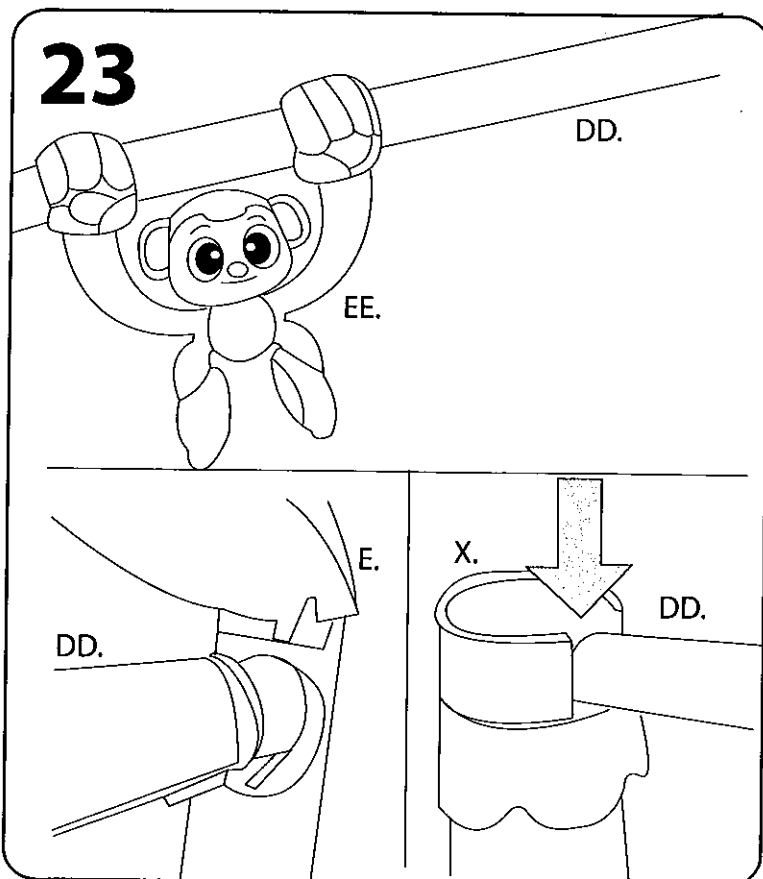
Snap the giraffe's head (T,S) onto the giraffe body assembly.



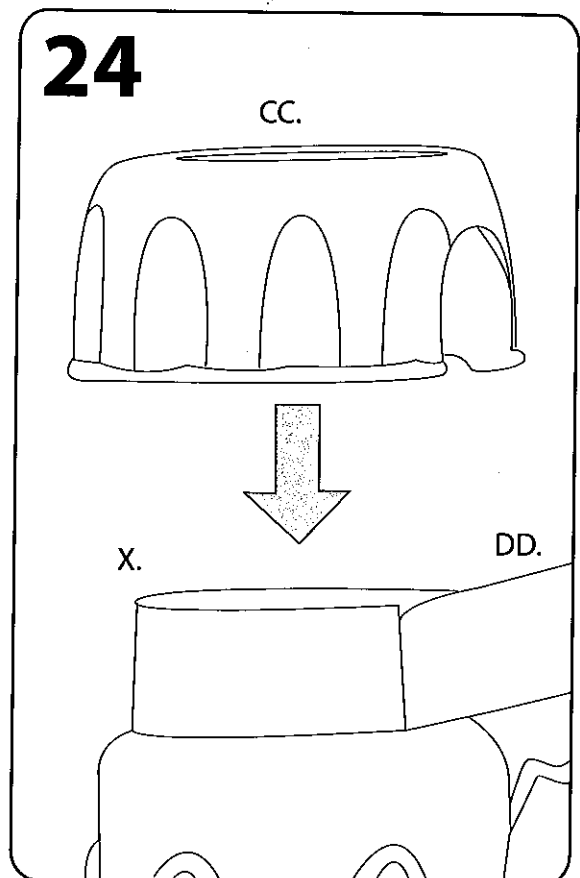
Snap the bottom ball ramp (II) between the lantern post and the toucan post.



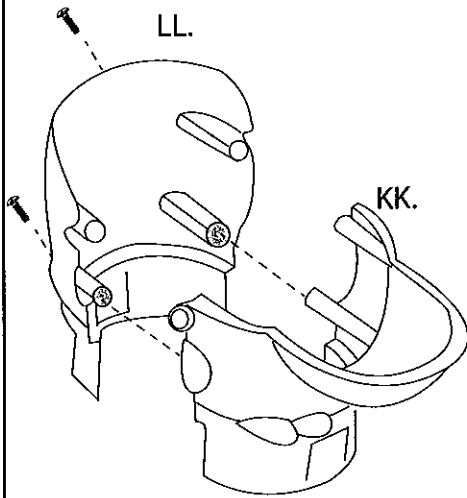

Snap the top ball ramp (HH) between the lantern post and the toucan post.



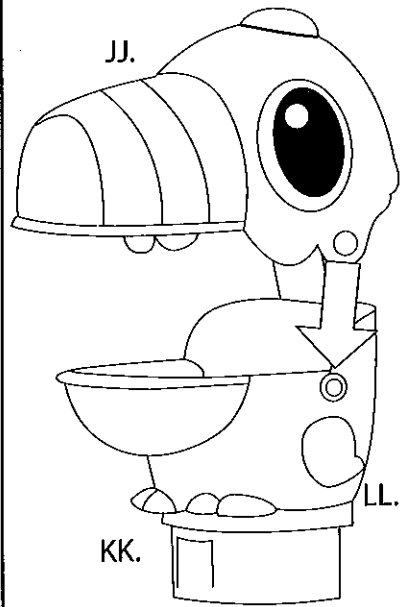
Slide the monkey (EE) onto the zip line (DD). Align the key on the zip line with the notch on the leaf lever (E) and slide together. Then, place the other end of the zip line in the opening on the toucan post (X).



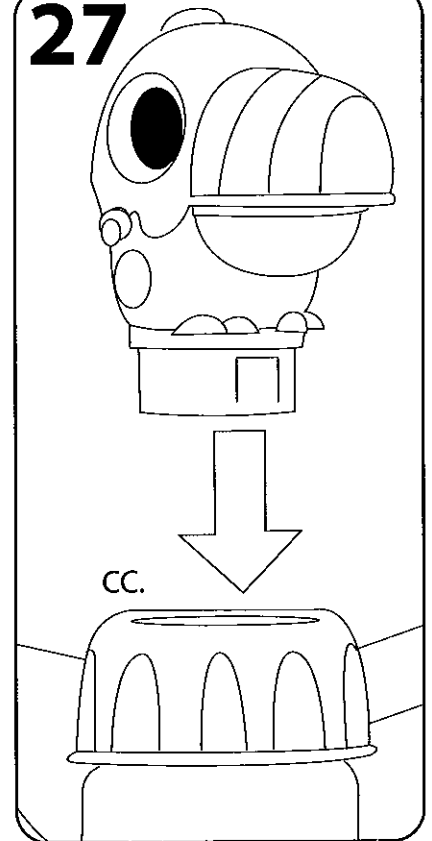
Snap the nest (CC) over the toucan post (X) and monkey zip line (DD).

25NN. x 2 

Secure the toucan body front (KK) and toucan body back (LL) halves together with two screws (NN).

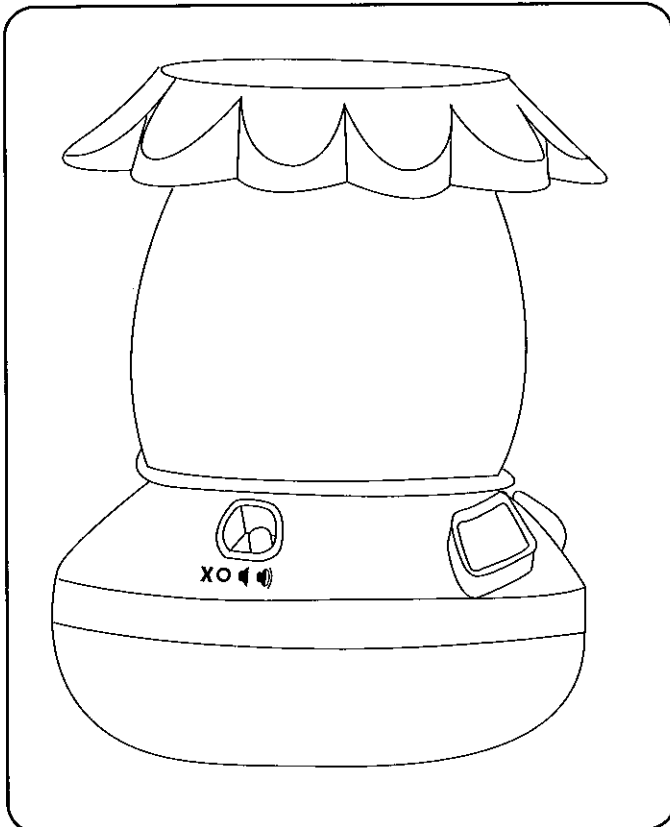
26



Snap the toucan head (JJ) onto the toucan body (KK, LL).

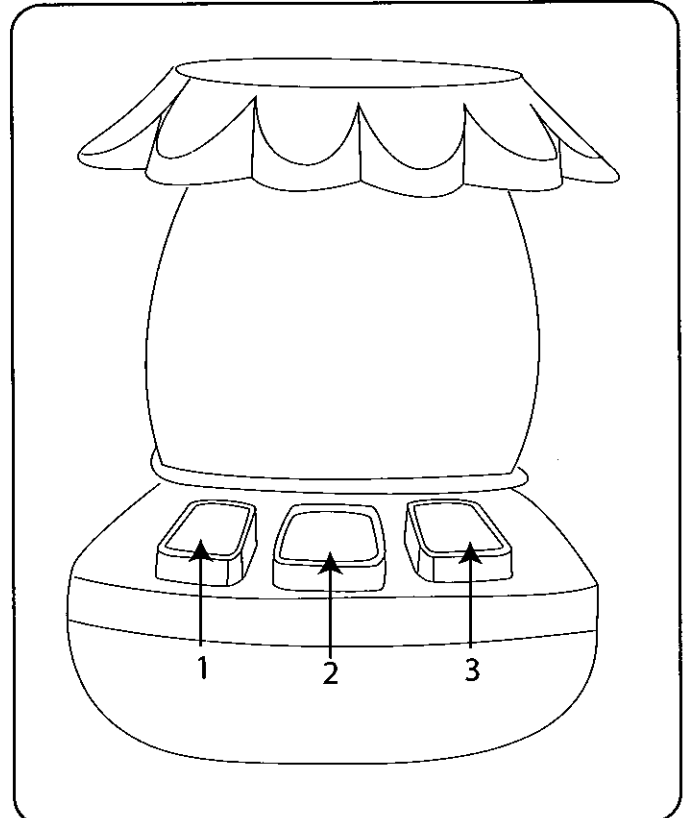
27

Snap the toucan into the nest (CC).

LANTERN LIGHTS AND SOUNDS

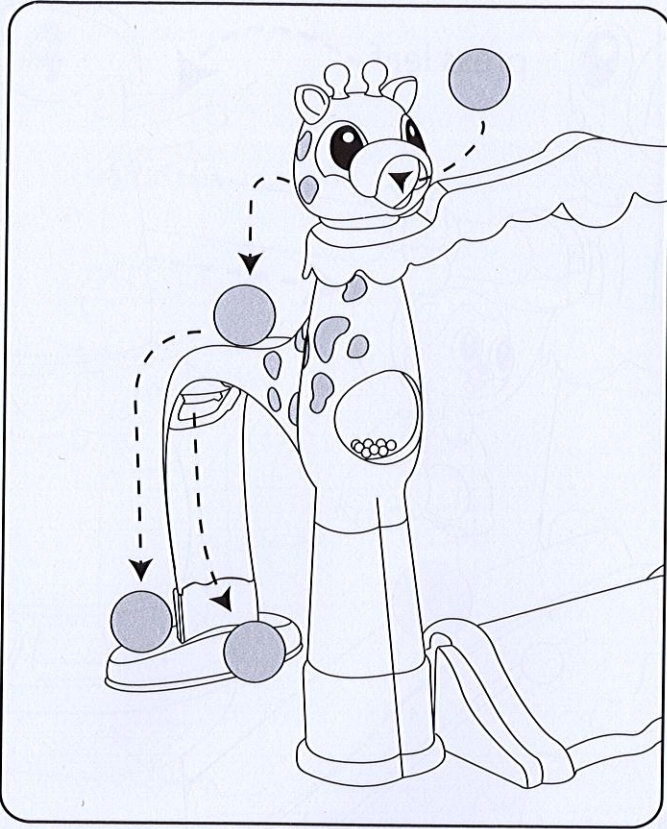


Turn the lantern to low volume  or high volume  and watch the lights shine around the treehouse. Always turn the lantern OFF (O) after use to conserve battery power.

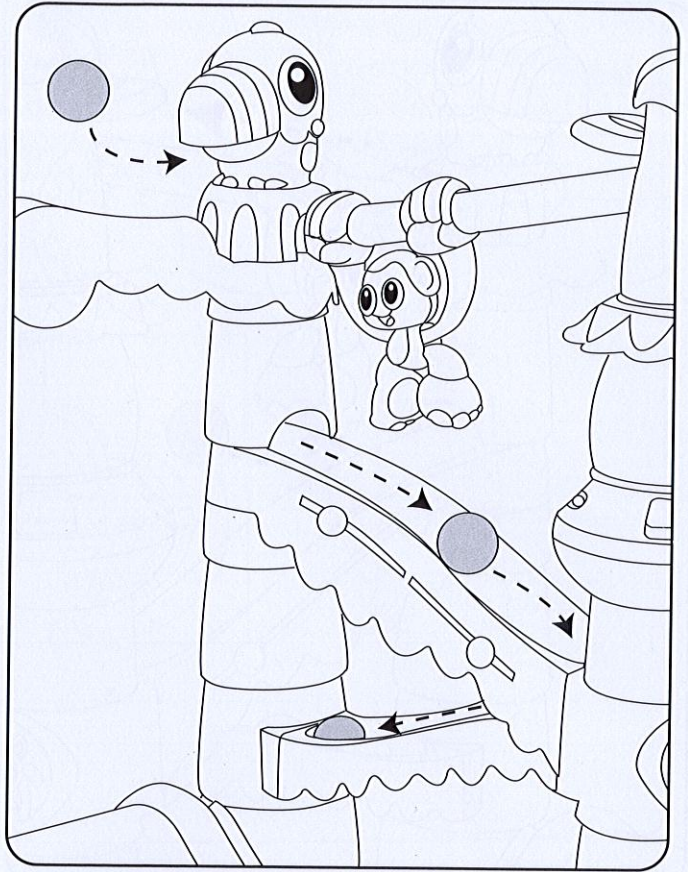


Press the lantern buttons for three different lighting modes:
 1. Explore Colors
 2. Dance Party
 3. Collect Fireflies

BALL SLIDES

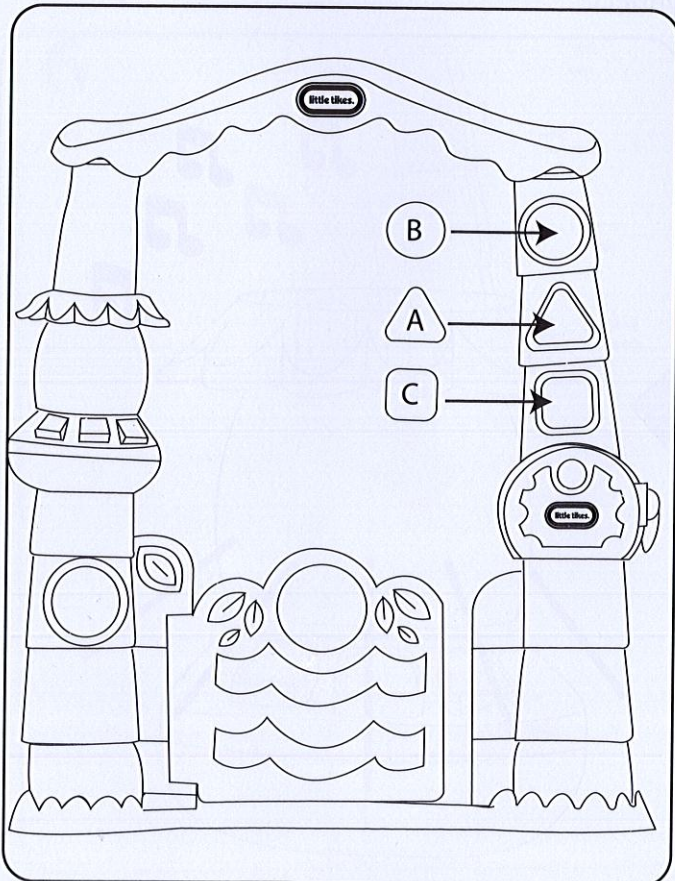


Place a ball in the giraffe's mouth. The ball will go down its back or through the legs. If the treehouse is in the closed position, the ball will go through the legs or into the mailbox.

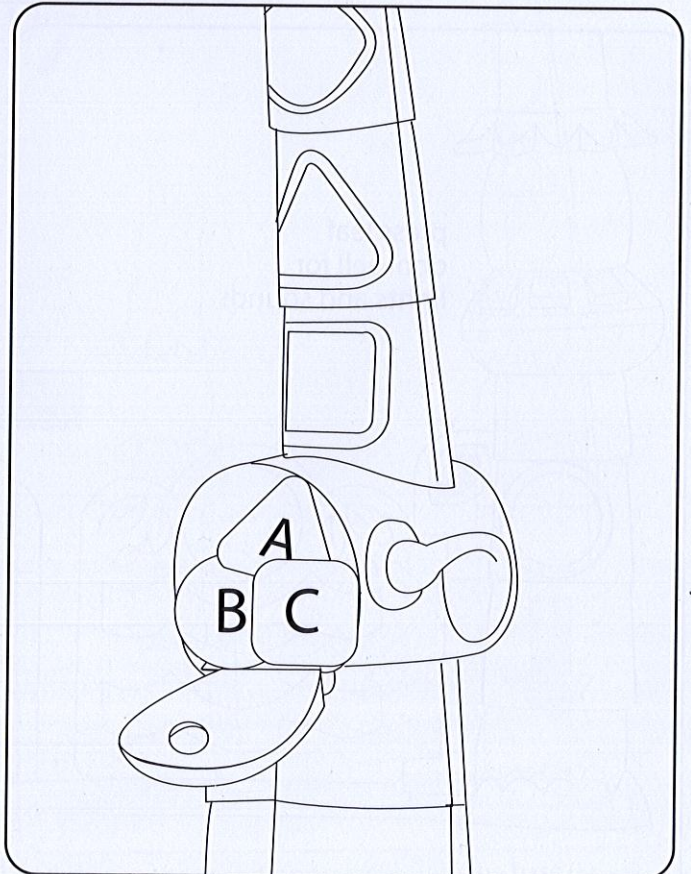


Place a ball in the toucan's mouth and watch it go down the slide.

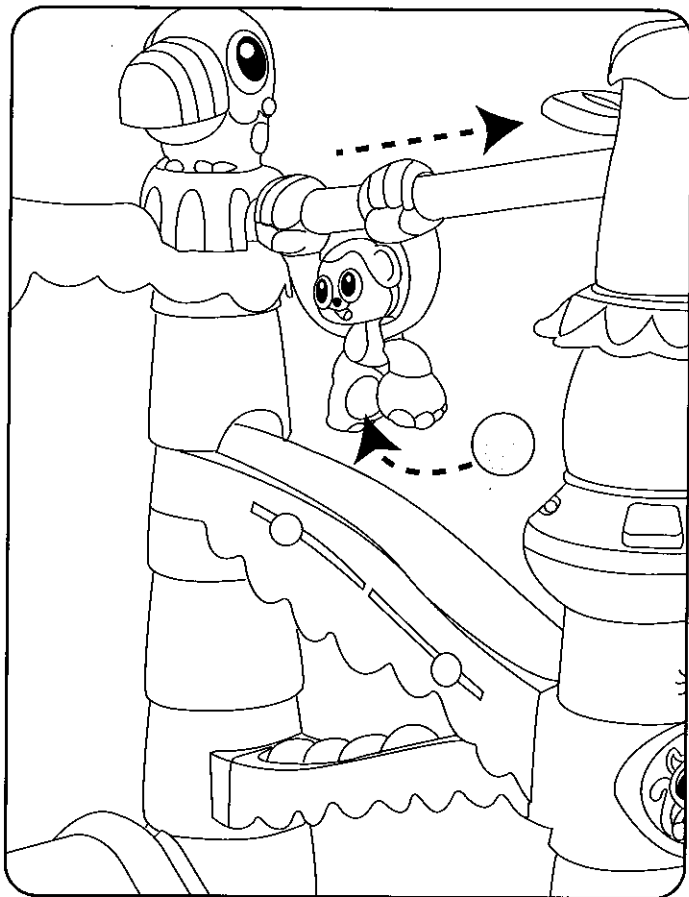
SHAPE SORTING



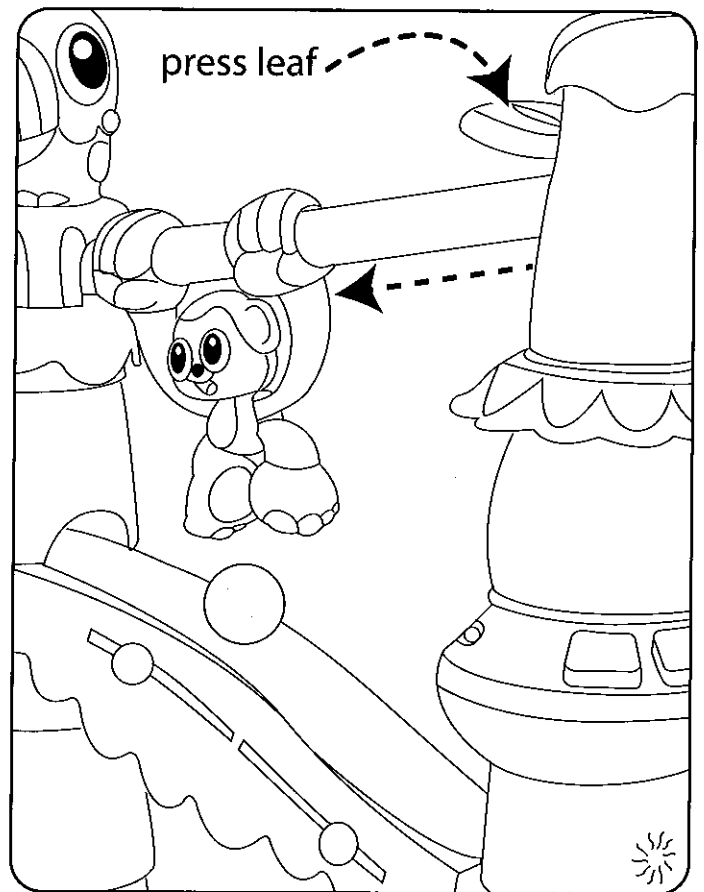
Place the shape sorting blocks in the openings above the mailbox.



Open the mailbox to collect the blocks.

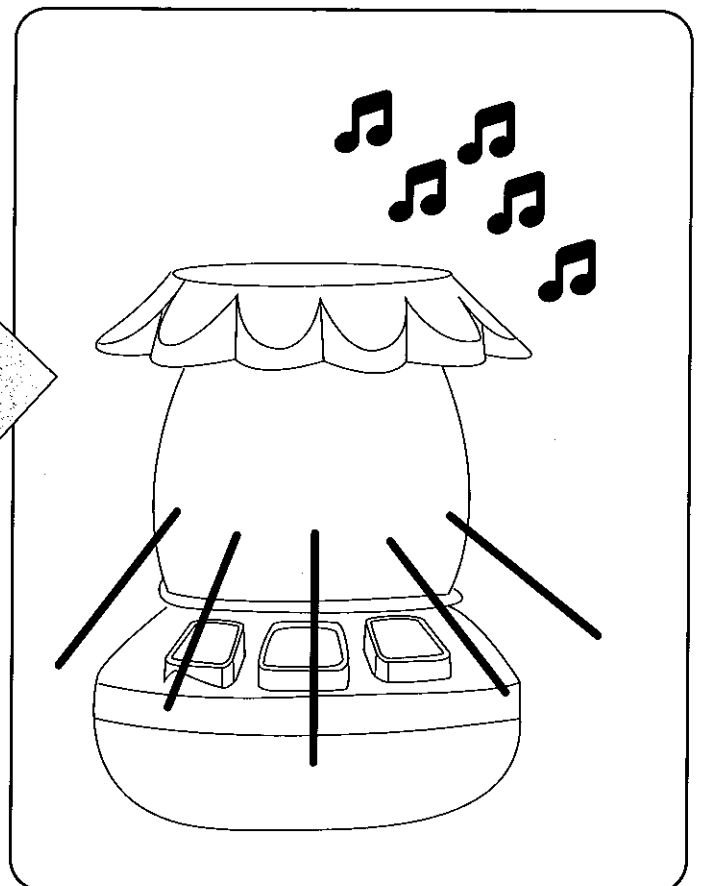
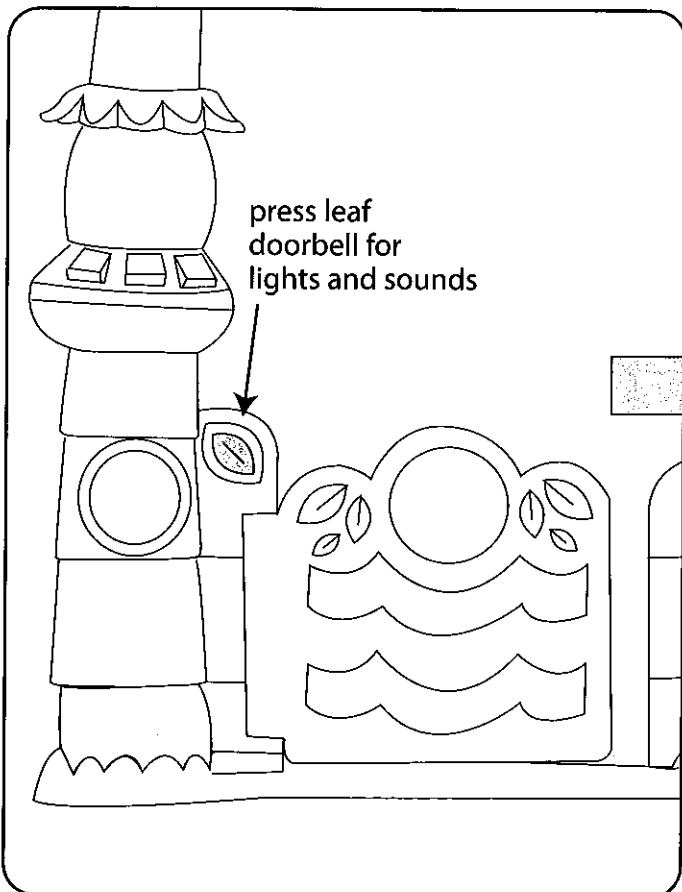


Place a ball between the monkeys feet. Slide the monkey all the way to the top of the zip line until it clicks in place.



Press down on the leaf to watch the monkey slide down the zip line and drop the ball down the slide.

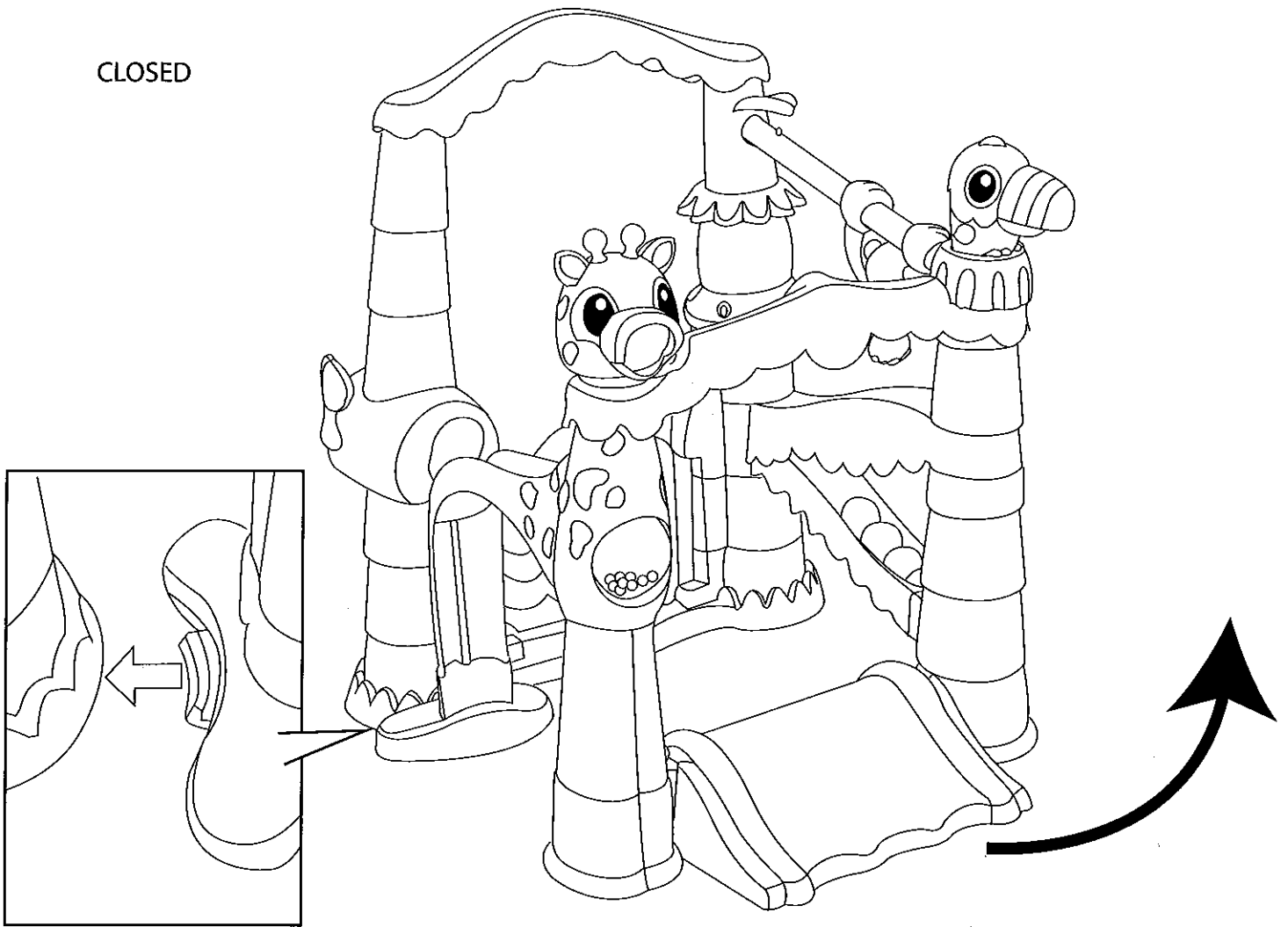
LEAF DOORBELL



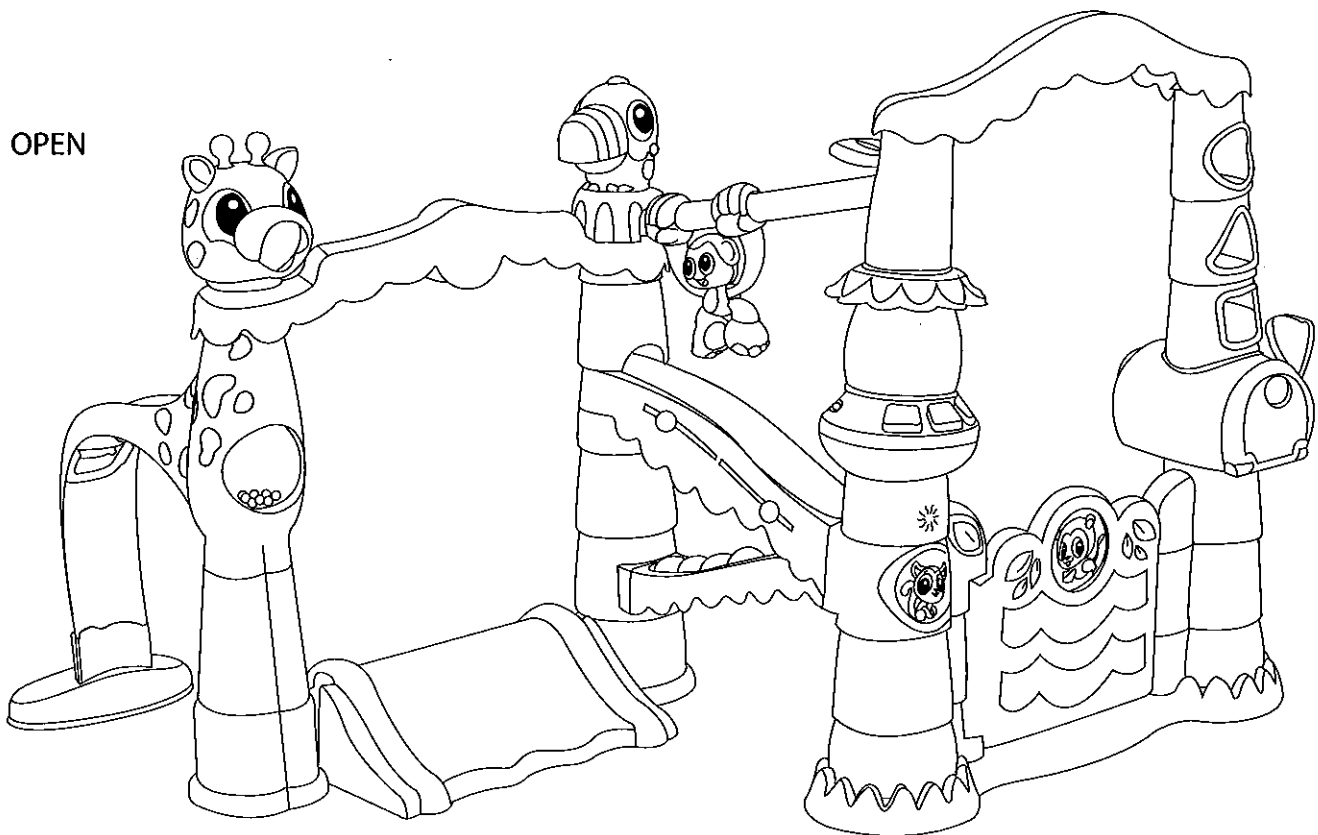
OPEN OR CLOSED PLAY MODES

Treehouse opens outward for an open configuration as your baby grows!

CLOSED



OPEN



 **WARNING:**

- Adult supervision required. Do not leave children unattended.
- Do not expose the unit to moisture of any kind. Wipe the unit with a damp cloth to clean.
- Prior to assembly, this package contains small parts: hardware which is a choking hazard and may contain sharp edges and sharp points. Keep away from children until assembled.
- Never place product near a window where cords from blinds or drapes can strangle a child. Also, never place the product near phone cords, computer cords or baby monitor cords.
- This product is intended for use by children ages 6 months and up.

BATTERY SAFETY INFORMATION

- Charging of rechargeable batteries should only be done under adult supervision. Use only size "AA" (LR6) alkaline batteries (3 required).
- Never mix old batteries with new batteries, rechargeable (nickel-cadmium) or carbon zinc with alkaline batteries.
- Be sure to insert the batteries correctly and follow the toy and battery manufacturer's instruction.
- Always remove exhausted or dead batteries from the product.
- Dispose of dead batteries properly: do not burn or bury them.
- Do not attempt to recharge non-rechargeable batteries.
- Remove rechargeable batteries from the product before recharging.
- Charging of rechargeable batteries should only be done under adult supervision with batteries removed from product.
- Avoid short-circuiting battery terminals.
- Remove batteries before placing the unit into storage for a prolonged period of time.

FCC COMPLIANCE

NOTE: This equipment has been tested and found to comply with the limits for a Class B digital device, pursuant to Part 15 of the FCC Rules. These limits are designed to provide reasonable protection against harmful interference in a residential installation. This equipment generates, uses and can radiate radio frequency energy and, if not installed and used in accordance with the instructions, may cause harmful interference to radio communications. However, there is no guarantee that interference will not occur in a particular installation. If this equipment does cause harmful interference to radio or television reception, which can be determined by turning the equipment off and on, the user is encouraged to try to correct the interference by one or more of the following measures:

- Reorient or relocate the receiving antenna.
- Increase the separation between the equipment and receiver.
- Connect the equipment into an outlet on a circuit different from that to which the receiver is connected.
- Consult the dealer or an experienced radio/TV technician for help.

This device complies with Part 15 of the FCC Rules. Operation is subject to the following two conditions: (1) This device may not cause harmful interference, and (2) this device must accept any interference received, including interference that may cause undesired operation.

Caution: Modifications not authorized by the manufacturer may void users authority to operate this device.

CAN ICES-3 (B)/NMB-3(B).

LIMITED WARRANTY

The Little Tikes Company makes fun, high quality toys. We warrant to the original purchaser that this product is free of defects in materials or workmanship for one year * from the date of purchase (dated sales receipt is required for proof of purchase). At the sole election of The Little Tikes Company, the only remedies available under this warranty will be the replacement of the defective part or replacement of the product. This warranty is valid only if the product has been assembled and maintained per the instructions. This warranty does not cover abuse, accident, cosmetic issues such as fading or scratches from normal wear, or any other cause not arising from defects in material and workmanship. *The warranty period is three (3) months for daycare or commercial purchasers. U.S.A and Canada: For warranty service or replacement part information, please visit our website at www.littletikes.com, call 1-800-321-0183 or write to: Consumer Service, The Little Tikes Company, 2180 Barlow Road, Hudson OH 44236, U.S.A. Some replacement parts may be available for purchase after warranty expires—contact us for details. Outside U.S.A and Canada: Contact place of purchase for warranty service. This warranty gives you specific legal rights, and you may also have other rights, which vary from country/state to country/state. Some countries/states do not allow the exclusion or limitation of incidental or consequential damages, so the above limitation or exclusion may not apply to you.



'Let's care for the environment!'

The wheeler bin symbol indicates that the product must not be disposed of with other household waste. Please use designated collection points or recycling facilities when disposing of the item. Do not treat old batteries as household waste. Take them to a designated recycling facility.

Please keep this manual as it contains important information.



0516-0-E/INT

© The Little Tikes Company,
an MGA Entertainment company.
LITTLE TIKES® is a trademark of Little Tikes in
the U.S. and other countries. All logos, names,
characters, likenesses, images, slogans, and
packaging appearance are the property of
Little Tikes.
Little Tikes Consumer Service
2180 Barlow Road Hudson, Ohio 44236 U.S.A.
1-800-321-0183
Printed in China

MGA Entertainment UK Ltd
50 Presley Way
Crownhill
Milton Keynes
MK8 0ES
Bucks, UK
0800 521 558

www.littletikes.com
www.littletikes.co.uk



Visit our website at
www.littletikes.com
to register your product and
to enter our sweepstakes.
(No purchase necessary)